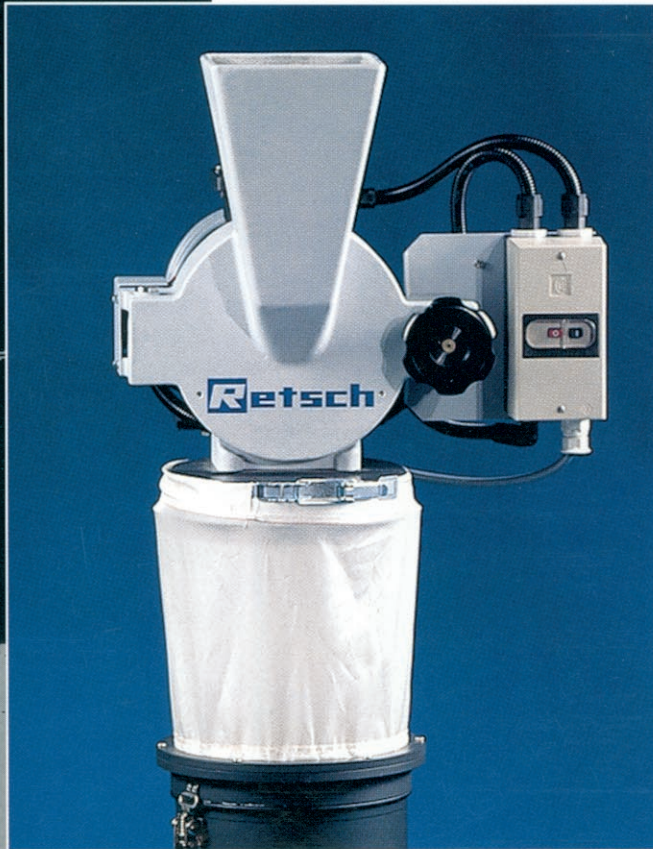


CRUSHING

SK 100 CROSS BEATER MILL

deluxe - standard



CRUSHING

RETSCH Cross Beater mills are suitable for batch and continuous coarse and fine grinding. Medium-hard and brittle materials with a hardness of up to 6 Mohs can be prepared. RETSCH Cross Beater Mills are highly versatile: from preparing samples in the laboratory and industrial plant, through pilot installations in technical colleges to making batches in the production domain.

Sturdy design and simple, safe operation are other features of the RETSCH Cross Beater Mill.

ADVANTAGES

- high performance
- high end fineness
- versatile
- easy-to-change bottom screens
- a wealth of accessories
- no-maintenance direct drive
- safe, to-CE design
- 2 years guarantee

FEATURES

Application	grinding
Feed stock	medium-hard, brittle
Feed size	< 15 mm
Final fineness	to < 100 µm
Sample volume	5 and 30 l resp. up to 80 kg/h

Retsch

SK 100 CROSS BEATER MILLS

deluxe - standard

RETSCH Cross Beater Mills grind slag, soil, ores, coal, minerals, feed pellets, gravel, oxide ceramics and many other similar materials. The maximum feed grain size for bulk materials is 15 mm and for single-piece feed up to 20 mm. End fineness and throughput depend on the crushing characteristics of the material to be ground and the hole width of the bottom sieve. The mill housing is of cast aluminium. The grinding insert can be replaced and can be chosen

from cast iron, chrome steel or stainless steel. The impact plates on the cross beater are of chrome steel or stainless steel. The Cross Beater Mill can be fastened to a bench or a wall bracket, but it is better mounted on the underframe (Art. No. 01.824.0028).

A 5 l collecting vessel of stainless steel and a filter sock are supplied as standard. Instead of the fabric sock, a ring filter of stainless Conidur perforated plate (hole width 63 µm) can be used, with or without dust filter installations. In the case of larger quantities, it is advisable to use the electromagnetic vibratory feeder DR 100/75 and the 30 l collecting container with an appropriate filter sock to ensure an even material feed.



RETSCH SK 100 Hammer Bar Mill deluxe

TWO MODELS TO CHOOSE FROM

The SK 100 deluxe Cross Beater Mill

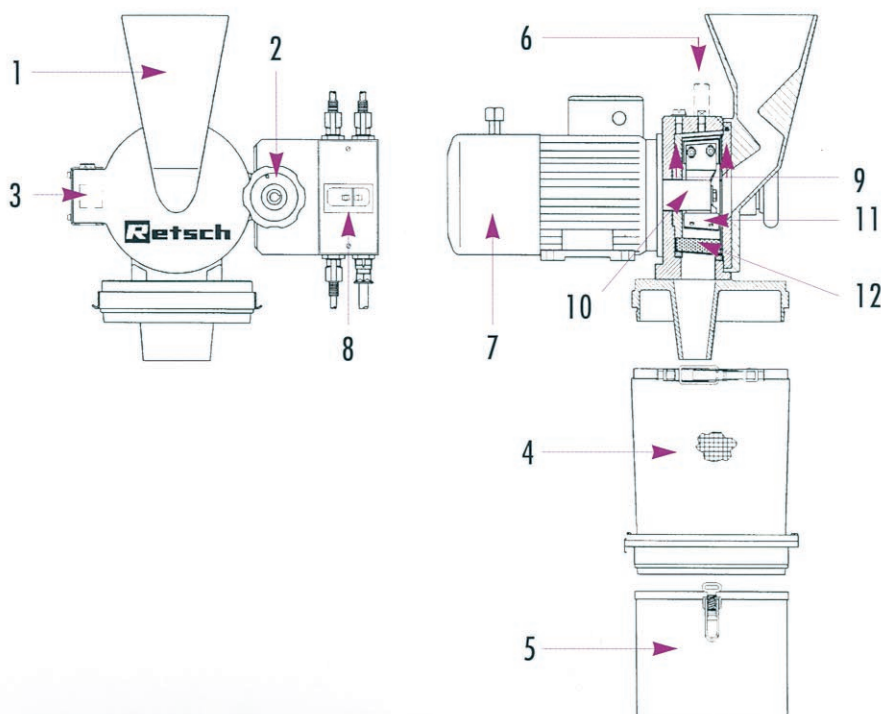
is distinguished by its extra user comfort. The grinding chamber door of the SK 100 C can be opened and closed quickly and simply without tools thanks to the quick-action lock. When the quick-action lock is unintentionally opened, a safety switch activates the motor brake so that the rotor comes to a standstill in less than 0.5 secs. The SK 100 is recommended especially where many different samples have to be ground and frequent access to the grinding chamber is necessary for cleaning or sieve change.

The SK 100 standard Cross Beater Mill

without quick-action door lock or brake motor is an inexpensive alternative. This model is particularly suitable when the same materials are being crushed and a certain time for opening and closing the door is acceptable. A safety switch interrupts the power supply to the motor as soon as the housing door is opened.

ROBUST - HIGH-PERFORMANCE - USER-FRIENDLY

FEATURES OF THE SK 100



1. Cascade feed hopper with safety battles
2. Quick-release door lock (SK 100 C)
3. Safety switch
4. Filter sock
5. Collecting container (5l)
6. Fastening of the feed device
7. Brake motor (SK 100 C)
8. ON/OFF and motor protection switch
9. Grinding insert
10. Cross beater
11. Beater end plates
12. Bottom sieve



Bottom sieves and ring filter with Conidur plate

CHOICE OF GRINDING TOOLS AND SIEVES

The choice of grinding tools used depends primarily on the feed material. Grinding inserts of the following materials are available: chrome steel, stainless steel and cast iron. The impact plates are of chrome steel or stainless steel.

Chrome steel is to be recommended for hard feed material and stainless steel if the feed material is corrosive. The bottom sieves are of stainless Conidur or round hole plate.

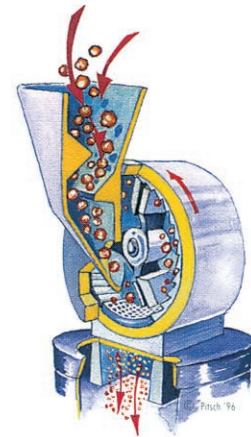
With brittle feed material, the final fineness is approx. 70 % of the hole width. The bigger the holes, the greater the throughput, and the less the retention time and abrasion.

GUIDE ANALYSIS OF MATERIAL

Material		Composition approx.
Mill housing		87.3% Al, 11.0% Si, 0.5% Fe, 0.5% Mg
Grinding insert	stainless steel	66.8% Fe, 19.5%Cr, 10.0% Ni, 2.0% Si, 1.5%Mn
Grinding insert	cast iron	93.6% Fe,3.6% C,1.8% Si, 0.5% Mn
Grinding insert	chrome steel	83.6% Fe,12.0% Cr,1.7%C,0.7%Mo,0.6% W
Beater end plates	chrome steel	84.9% Fe,12.0% Cr, 2.2% C, 0.5% Mn
Beater end plates	stainless steel	82.9% Fe, 14.5% Cr, 1.0% Si,1.0% Mn,0.5% C
Bottom sieves	stainless steel	77.3% Fe, 18.0% Cr, 2.5% Ni,2.0% Mn, 1.0% Si



Cross Beater Mill with stand and 30 l container



SK 100 TECHNOLOGY

Grinding takes place in the Cross Beater Mills using a hammering, impact and shearing action. The feed material passes through the hopper directly into the centre of the grinding chamber. It is then caught by the cross beater and crushed between the impact plates of the cross beater and the toothed grinding insert. As soon as the material is smaller than the hole width of the bottom sieve used, it passes this and goes into the collecting vessel. The air drawn in through the funnel by the cross beater accelerates the discharge of the crushed material. The air-borne fine fraction is separated off by a downstream filter system.

The cross beater is directly connected to the motor shaft. Rotor speed is 2850 min⁻¹ and the rated power 1.1 kW.

All models are equipped with a door safety switch, together with ON/OFF and motor protection switches.

RETSCH Cross Beater Mills are sturdy and virtually maintenance-free. They all comply with CE directives.

MASS AND WEIGHTS

W x H x D	420 x 560 x 445 mm
with underframe	560 x 1183 x 700 mm
with underframe and DR 100	560 x 1443 x 700 mm
Weight SK 100 s	approx. 32 kg
Weight SK 100 c	approx. 36 kg

RETSCH offers a comprehensive programme of equipment for sample preparation of solids. Just ask for information on our crushers, mills, sample dividers, sieving machines, feeders, mixers, cleaning and drying devices. You will receive all documents free of charge and without obligation.

Technical modifications reserved

99.735.0001/E
Printed in Germany 11/96

PURCHASE ORDER DATA

CROSS BEATER MILL	SK 100 „DELUXE“	SK 100 „STANDARD“	
	Grinding insert	Article No.	Article No.
3 x 400 V, 50 Hz	cast iron	20.735.0001	20.731.0001
3 x 400 V, 50 Hz	chrome steel	20.735.0002	20.731.0002
3 x 400 V, 50 Hz	stainless steel	20.735.0003	20.731.0003
230 V, 50 Hz	cast iron	20.735.0007	20.731.0007
230 V, 50 Hz	chrome steel	20.735.0008	20.731.0008
230 V, 50 Hz	stainless steel	20.735.0009	20.731.0009
110 V, 60 Hz	cast iron	20.735.0010	20.731.0010
110 V, 60 Hz	chrome steel	20.735.0011	20.731.0011
110 V, 60 Hz	stainless steel	20.735.0012	20.731.0012

(without bottom sieve)

ACCESSORIES

Bottom sieves of stainless steel

Conidur perforation	0,12 mm	02.407.0059	Round perforation	3,00 mm	02.407.0007
Conidur perforation	0,20 mm	02.407.0013	Round perforation	4,00 mm	02.407.0008
Conidur perforation	0,25 mm	02.407.0001	Round perforation	5,00 mm	02.407.0009
Conidur perforation	0,50 mm	02.407.0002	Round perforation	6,00 mm	02.407.0010
Conidur perforation	0,75 mm	02.407.0003	Round perforation	8,00 mm	02.407.0011
Conidur perforation	1,00 mm	02.407.0004	Round perforation	10,00 mm	02.407.0012
Conidur perforation	1,50 mm	02.407.0005			
Conidur perforation	2,00 mm	02.407.0006			

Stand for SK 100	01.824.0028
Collecting vessel 30 l	22.003.0001
Filter sock for collecting vessel 30 l, length 490 mm	01.186.0013
Stand for feed device	22.742.0003
Vibratory feeder, type DR 100/75 for 220-240 V, 50 Hz, funnel volume 3.5 dm ³	70.937.0033
Vibratory feeder, type DR 100/75 for 110-115 V, 60 Hz, funnel volume 3.5 dm ³	70.937.0036
Ring filter with Conidur plate for collecting container 5 l	22.187.0001
Dust filter with clamping rings for ring filter	22.748.0001

Details of spare parts can be found in our price list.

Characteristic noise values (DIN 45635-31-01-KL3)

Workplace-related emission value	$L_{pA eq} = 86 \text{ dB}$
Sound power level	$L_{WA} = 95 \text{ dB (A)}$
Material: Quartz sand < 3 mm	

F. Kurt RETSCH GmbH & Co. KG
Rheinische Strasse 36 · D - 42781 Haan
POB 15 54 · D - 42759 Haan
Tel.: +49 (0) 21 29 / 55 61-0
Fax.: +49 (0) 21 29 / 87 02
E-Mail: info@retsch.de
Internet: http://www.retsch.de

Retsch®