



Diaphragm Pumps for Air, Gases and Vapours



Diaphragm Vacuum Pumps and Compressors

Technical features:

- 100% oil-free transfer
- Pure transferring, evacuation and compression of gases
- Versions for slightly aggressive or corrosive gases and vapours
- Maintenance-free
- Environmentally friendly
- Gastight, leakage rate approx. 6×10^{-3} mbar x l/s, not tested in serial production.

Series N 035 A_.18 Pumps

Series N 035 diaphragm pumps are single-head, dry-running devices used in a wide range of laboratory applications. They transfer, compress and pump down without contamination. The pumps are available in various versions differing in the materials which contact the media.

Material in contact with the pumped media

Type/OrderNo.	Pump head	Diaphragm	Valves
N 035 AN.18	Aluminium	CR	Stainless steel
N 035 AT.18	Aluminium	PTFE-coated	Stainless steel

Choose the pump and the motor in accordance with the following example:

N 035 AN.18 with IP 44-Motor.

Technical data:

	N 035 AN.18 IP 20-Motor	N 035 AN.18 IP 44-Motor
Delivery (l/min) ¹⁾	30	30
Ultimate vacuum (mbar abs.)	100	100
Operating pressure (bar g)	4	4
Connectors for tube (mm)	ID 9	ID 9
Permissible gas and ambient temperature	+5...+40 °C	+5...+40 °C
Voltage/Frequencies	230V/50Hz	230V/50Hz
Motor protection	IP 20	IP 44
Power P ₁	220 W	230 W
Operating current	1 A	1.7 A
Weight	8.2 kg	8.5 kg
Dimensions		
LxHxW (mm)	265/254/143	280/255/198
With thermal switch		

Motors with other voltages and frequencies on request.

¹⁾ at atm. pressure

Versions for slightly aggressive gases and vapours

	N 035 AT.18 IP 20-Motor	N 035 AT.18 IP 44-Motor
Delivery (l/min) ¹⁾	27	27
Ultimate vacuum (mbar abs.)	100	100
Operating pressure (bar g)	4	4
Connectors for tube (mm)	ID 9	ID 9
Permissible gas and ambient temperature	+5...+40 °C	+5...+40 °C
Mains	230V/50Hz	230V/50Hz
Motor protection	IP 20	IP 44
Power P ₁	220 W	230 W
Operating current	1 A	1.7 A
Weight	8.2 kg	8.5 kg
Dimensions		
LxHxW (mm)	265/254/143	280/255/198
With thermal switch		

Motors with other voltages and frequencies on request.

¹⁾ at atm. pressure

Accessories

Description	Details	for Type	Order No.
Silencer/Filter	G 1/4		000352
Pressure relief valve	4 bar	N 035 AN.18	047601
Fine control valve with pressure gauge	pressure side	N 035 AN.18	000482
Fine control valve with vacuum gauge	suction side	N 035 AN.18	000354

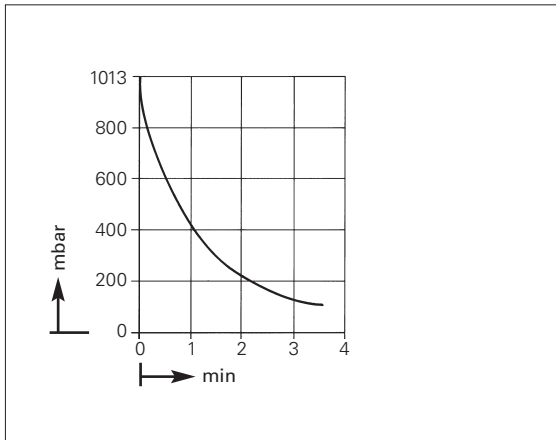
KNF reserves the right to make changes.

KNF 01/2013 Produced in Germany

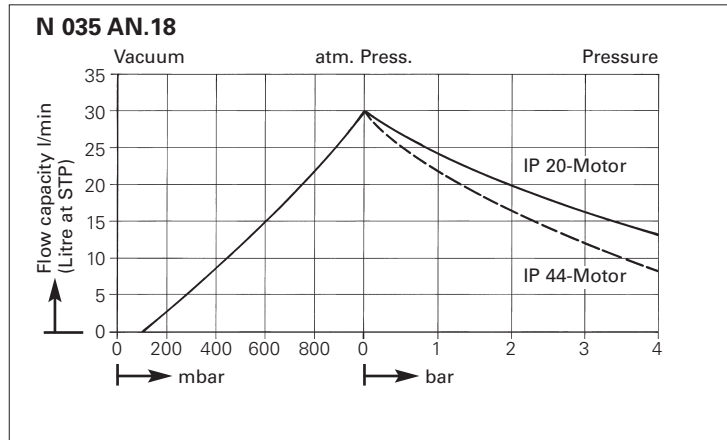


Dimensions and performance characteristics

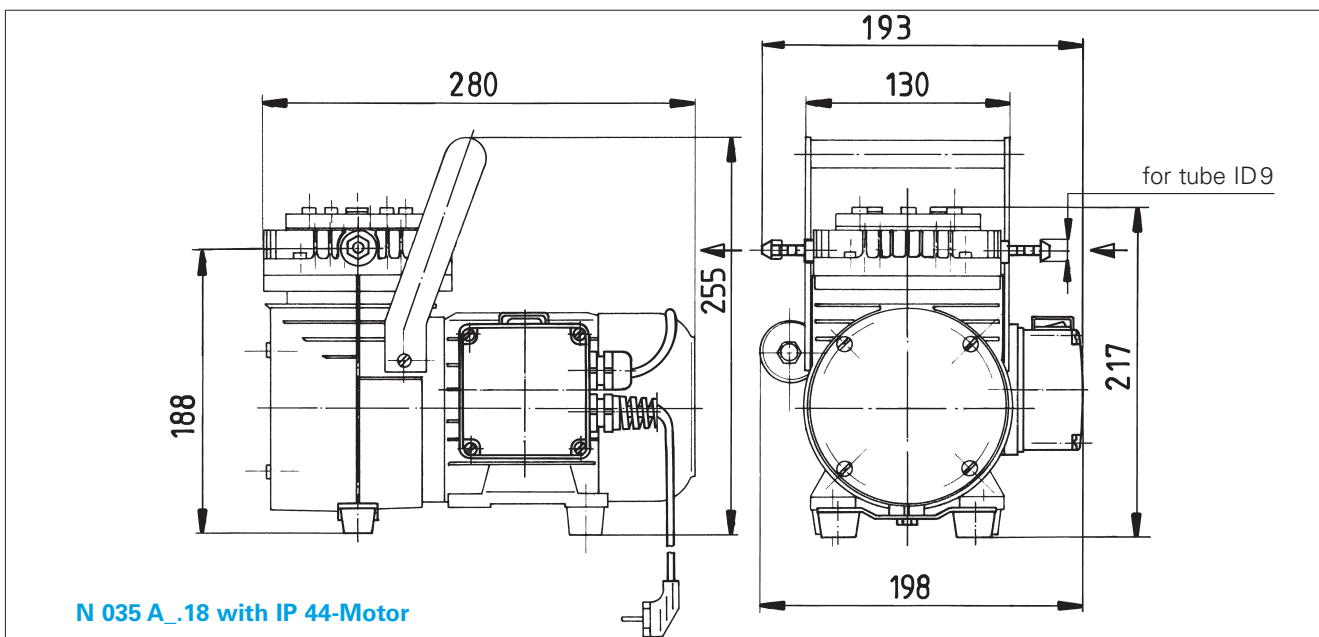
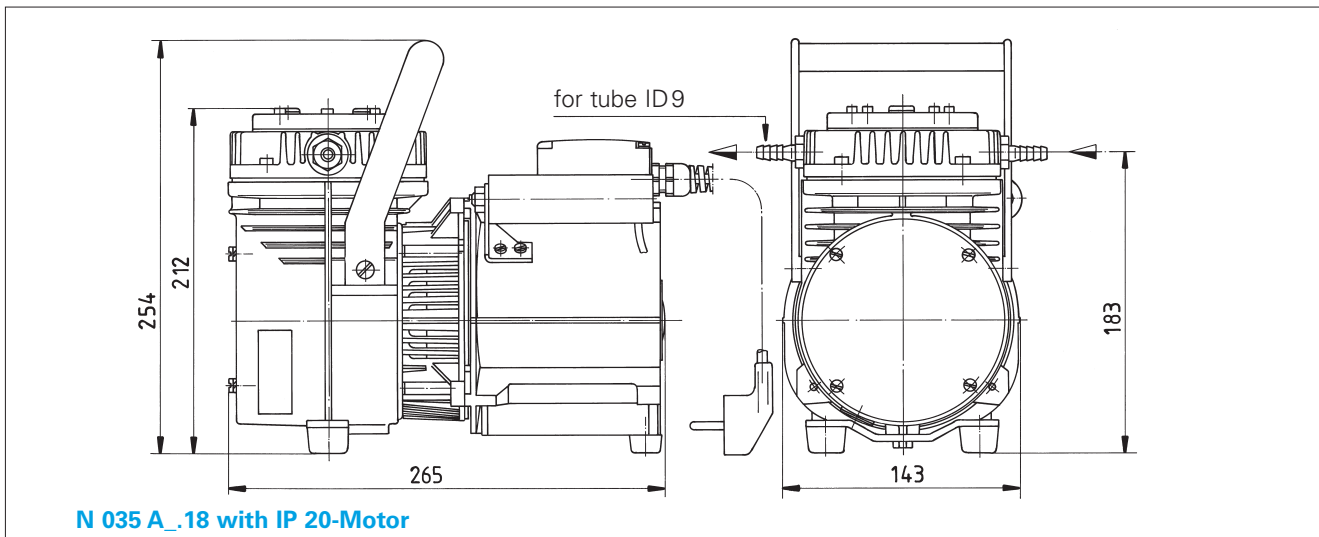
Pump down time for 20 l receiver



Performance characteristics



Dimensions (mm)





The KNF-Group worldwide

Germany

KNF Neuberger GmbH
Alter Weg 3
D-79112 Freiburg
Tel. +49 7664 5909 0
Fax +49 7664 5909 99
info@knf.de
www.knf.de

Benelux Netherlands

KNF Verder B.V.
Utrechtseweg 4a
NL-3451 GG Vleuten
Tel. +31 30 677 92 40
Fax +31 30 677 92 47
info@knf-verder.nl
www.knf-verder.nl

Benelux Belgium and Luxembourg

KNF Verder N.V.
Kontichsesteenweg 17
B-2630 Aartselaar
Tel. +32 3 871 96 24
Fax +32 3 871 96 28
info@knf.be
www.knf.be

China

KNF Neuberger Trading
(Shanghai) Co., Ltd.
No. 36 Lane 1000
Zhang Heng Road
Shanghai 201203
Tel. +86 21 6859 6566
Fax +86 21 6859 6568
info@knf.com.cn
www.knf.com.cn

France,

Marocco, Tunisia, Algeria

KNF Neuberger S.A.
4, Bld. d'Alsace Z.I.
F-68128 Village-Neuf
Tel. +33 389 70 35 00
Fax +33 389 69 92 52
info@knf.fr
www.knf.fr

United Kingdom

KNF Neuberger U.K., Ltd.
Avenue 2, Station Lane
Industrial Estate
Witney, Oxfordshire OX28 4FA
Tel. +44 1993 77 83 73
Fax +44 1993 77 51 48
info@knf.co.uk
www.knf.co.uk

India

KNF Pumps + Systems (India) Pvt. Ltd.
RAJIV GANDHI INFOTECH PARK,
Phase 1,
Ganga Estate, Survey No. 152/2/2,
Above AXIS BANK,
Hinjewadi, Pune 411 057
Tel. +91 20 640 13 923
+91 20 640 08 923
Fax +91 20 229 33 923
info@knfpumps.in
www.knfpumps.in

Italy

KNF ITALIA S.r.l.
Via Flumendosa, 10
I-20132 Milano
Tel. +39 02 272 03 860
Fax +39 02 272 03 848
info@knf.it
www.knf.it

Japan

KNF Japan Co.Ltd.
Across Shinkawa Bldg. Annex 3F,
1-16-14 Shinkawa, Chuo-ku,
Tokyo 104-0033
Tel. +81 3 3551 7931
Fax +81 3 3551 7932
info@knf.co.jp
www.knf.co.jp

Korea

KNF Neuberger Ltd.
Woosan Bldg.Rm#202
336-4, Hwikyung-Dong
Dongdaemun-Ku
130-090, Seoul
Tel. +82 2 959 0255
Fax +82 2 959 0254
knf@knfkorea.com
www.knfkorea.com

Sweden, Finland, Denmark, Norway

KNF Neuberger AB
Mejerivägen 4
P.O. Box 44060
SE-10073 Stockholm
Tel. +46 8 744 51 13
Fax +46 8 744 51 17
info@knf.se
www.knf.se

Switzerland Sales

KNF Neuberger AG
Stockenstrasse 6
CH-8362 Balterswil
Tel. +41 71 973 99 30
Fax +41 71 973 99 31
knf@knf.ch
www.knf.ch

Switzerland

Production Liquid Pumps
KNF FLODOS AG
Wassermatte 2
CH-6210 Sursee
Tel. +41 41 925 00 25
Fax +41 41 925 00 37
info@knf-flodos.ch
www.knf-flodos.ch

Switzerland

Production Micro Pumps
KNF Micro AG
Zelglimatte 1b
CH-6260 Reiden
Tel. +41 62 787 88 88
Fax +41 62 787 88 99
info@knf-micro.ch
www.knf-micro.ch

Taiwan

KNF Neuberger Ltd.
9F-2, No. 24, Lane 123, Section 6,
Min Chuan East Road
Neihu District
Taipei City, 11490
Tel. +886 2 2794 1011
Fax +886 2 8792 1648
knftwn@knftwn.com.tw
www.knftwn.com.tw

USA, Canada, South America

KNF Neuberger, INC.
Two Black Forest Road
Trenton, New Jersey 08691-1810
Tel. +1 609 890 8600
Fax +1 609 890 8323
knfusa@knf.com
www.knfusa.com
Latin America
Tel. +1 609 649 1010
gb@knf.com

Diaphragm Pumps + Systems



KNF Neuberger GmbH



KNF Neuberger, INC.



KNF Micro AG



KNF Neuberger S.A.



KNF FLODOS AG

The KNF-Production worldwide

Germany

KNF Neuberger GmbH
Freiburg-Munzingen

France

KNF Neuberger S.A.
Village-Neuf

Switzerland

KNF FLODOS AG
Sursee

Switzerland

KNF Micro AG
Reiden

USA

KNF Neuberger, INC.
Trenton - New Jersey